

# Cable Transmission Solutions



*Over One Coax Solution*

Provides Coaxial / HD & IP CCTV Transmission Solution, such as RG59/RG6



A Division of AAS Technology

Provides UTP Cable Transmission Solution, such as CAT5/CAT6

# Who is and ?

- Factory in Taiwan & China with **Quality Test Center – QTC**
- An R&D Dept. in Taiwan & U.S.A.
- Sales offices and warehouses in the U.S.A., Taiwan, and China

AAS Technology was founded to **provide all CCTV cable transmission solutions** to customers as well as offering OEM services that is of high quality and affordable prices. As a stepping stone into the market, AAS Technology acquired UTP Balun and is continuously growing.

R&D Dept. - Q.C. Test Equipment



Factory in Taiwan & China



# AAS Tech Products

## HD CCTV SDI Series

SDI 1x2 Distribution Amplifier & Extender



SDI to HDMI & CVBS Converter



SDI Extender Over CAT5/6



Transmitter

+



Receiver



## PoE or Ethernet Over Coax



Network IP  
Over Coax

## IP / PoE, Analog, and PTZ All-in-One Service Tester

**DISCONTINUED**



All-in-One



Network, IP

Network, IP  
PoE

Analog  
PTZ

## 3.5" CCTV Service Viewer – Analog Only



All-in-One Carry Bag



Provide 12V DC  
Power to Camera

Analog

# UTP Balun Products



### Passive Video Balun



### Passive Video Balun w/ Power



### Video, Audio, Power and Data Transceiver Device + Hub



### Active Video Balun



RJ45

Terminal

### PC Balun VGA & USB Extenders



### PC Balun VGA Distributors



### Power Converter



24V AC to 12V DC

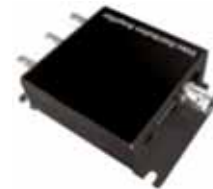
Weatherproof

12/24V DC to 5V  
DC 5A  
Application: Access Point  
with Solar

### Ground Loop Isolator Filter



### Video Distributor



### Surge Protector



# SD/HD/3G-SDI 1x2 Distribution



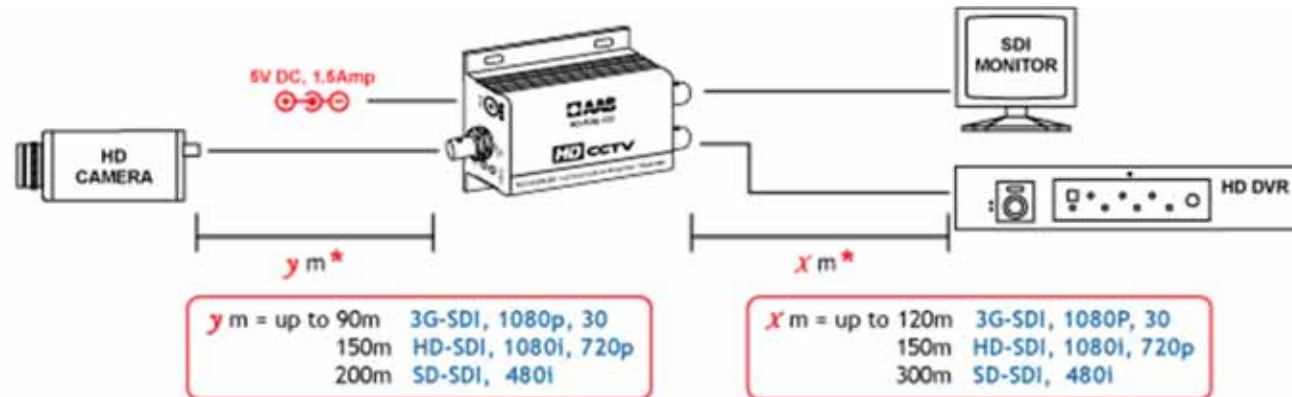
## Amplifier & Extender for HD CCTV Solution

- ▶ **HD-SDE-122** SD-1 Non Re-clocking function
- ▶ **HD-SDE-122R** SD-2 Re-clocking function – max. 7 repeater connection

### Features:

- Max. data rate up to 1485 Mbps
- Signal Type: SMPTE 292M, SMPTE 259M
- Cable equalization (Beldon 1694A) and signal retiming
- 5V DC (HD-SDE-122)
- 5V~24V DC (HD-SDE-122R)

The HD-SDE-122 is specially designed for HD CCTV for Surveillance industry. This Standard is more Economical than Broadcasting industry standards.



\*The distance depends on the quality of the SDI signal from the HD camera source and also the Coax Cable & Connector



# SD/HD/3G-SDI Video Extender over **CAT5/6** Kit



## ▶ HD-SDE-UTPK SD-12

### Features:

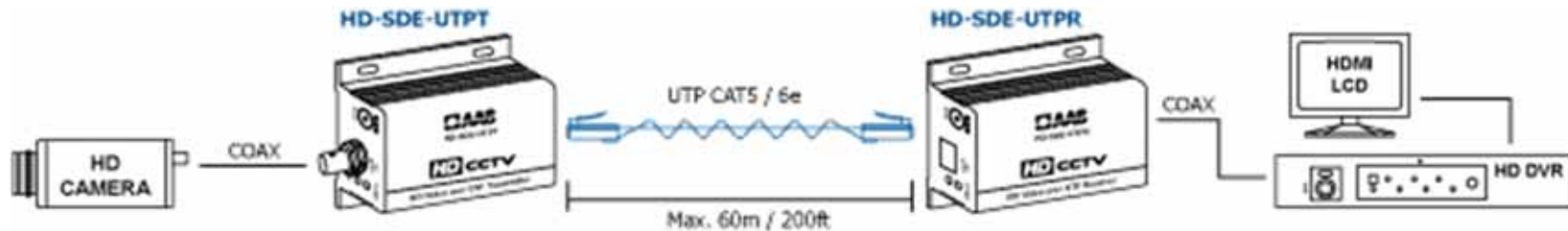
- Max. 60m / 200ft transmission distance
- 5V~24V DC



**HD-SDE-UTPT**  
Transmitter  
SD-12a



**HD-SDE-UTPR**  
Receiver  
SD-12b



\* The distance depends on the quality of the SDI signal from the HD camera source and also the CAT5/6e Cable & RJ45 Jack



# SD/HD/3G-SDI Video + Power + Data RS-485 Transmission

Full HD  
1080

## ▶ HD-SDE-VDK SD-6 Kit with Tx and Rx

### Features:

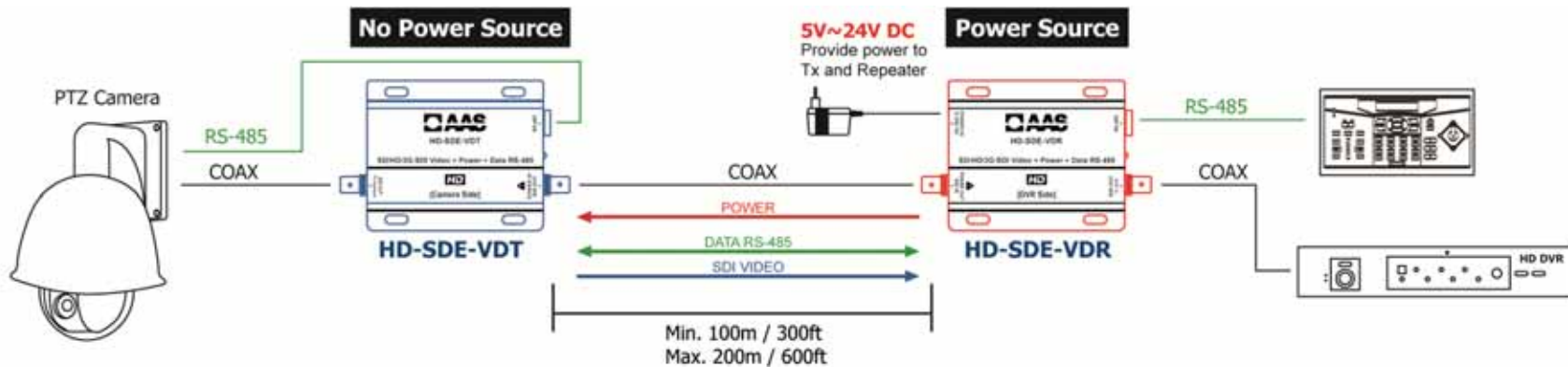
- Data and power can be transmitted from the recorder side to the camera over the coax cable.
- Max. cable length (Belden 1694A): SD-SDI 400m/1300ft, HD-SDI 200m/600ft, 3G-SDI 140m/450ft
- 5V~24V DC



**HD-SDE-VDT**  
Transmitter  
SD-6b



**HD-SDE-VDR**  
Receiver  
SD-6a



\* The distance depends on the quality of the SDI signal from the HD camera source and also the Coax Cable & Connector



Pay careful attention to POWER IN/SDI OUT and POWER OUT/SDI IN when connecting the devices. Wrongful connection will burn the device.

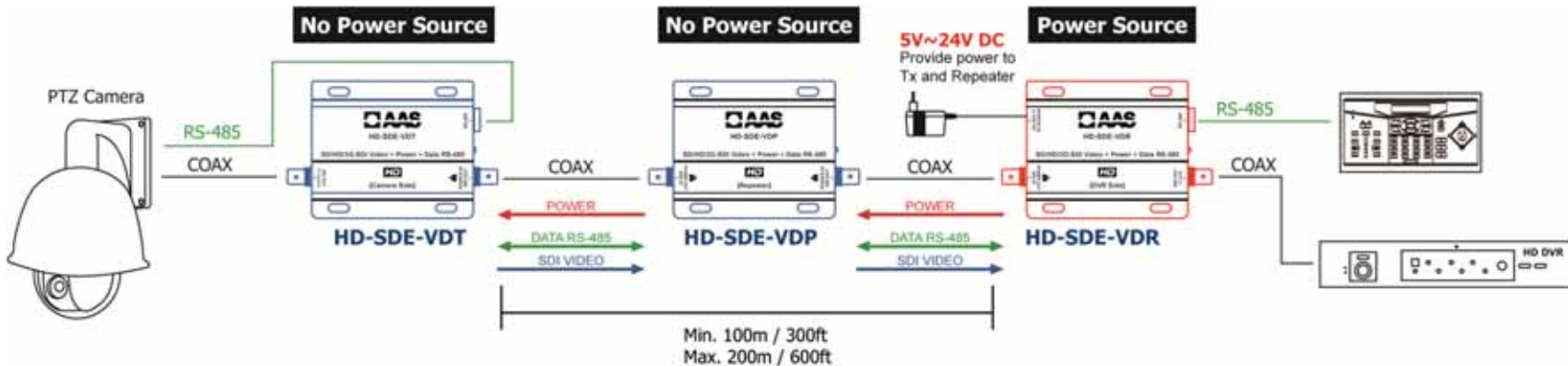


# Repeater for SD/HD/3G-SDI Video + Power + Data RS-485 Transmission

## ▶ HD-SDE-VDP SD-7

### Features:

- Data and power can be transmitted from the recorder side to the camera over the coax cable.
- Up to **7 repeaters** may be powered from the coax cable (*Requires 24V DC to power 2+ repeaters & Tx*)
- Max. cable length (Belden 1694A): SD-SDI 400m/1300ft, HD-SDI 200m/600ft, 3G-SDI 140m/450ft
- 5V~24V DC



\* The distance depends on the quality of the SDI signal from the HD camera source and also the Coax Cable & Connector



Pay careful attention to POWER IN/SDI OUT and POWER OUT/SDI IN when connecting the devices. Wrongful connection will burn the device.





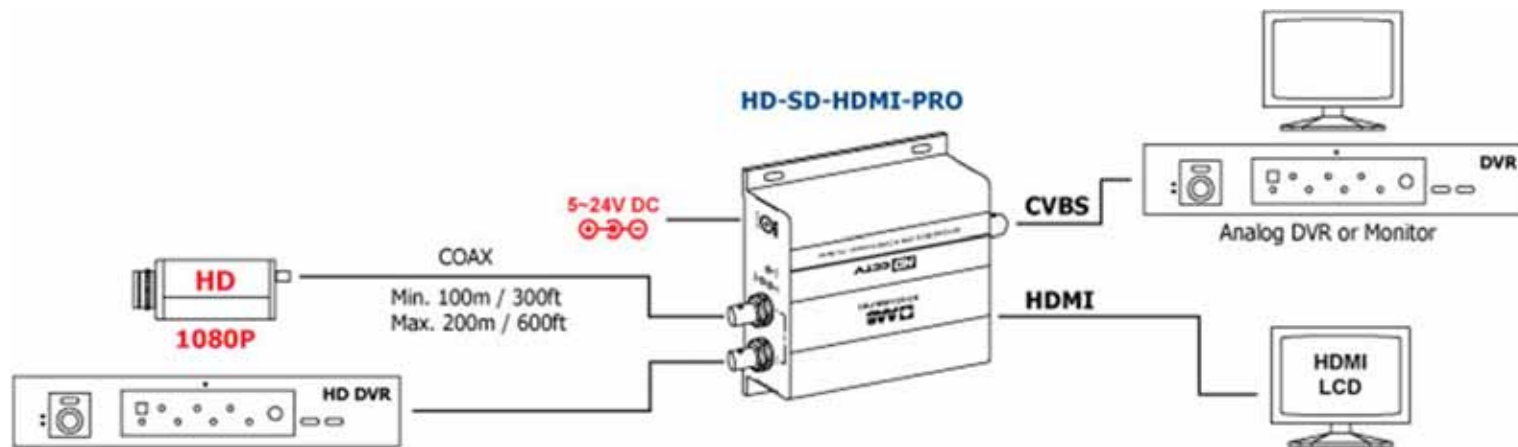
# SD/HD/3G-SDI to HDMI & CVBS Converter

Full HD  
1080

## ▶ HD-SD-HDMI-PRO

### Features:

- Signal Type: SMPTE 425M (A level and B level), 424M, 929M, 259M-C
- Max. cable length (Belden 1694A): SD-SDI 400m/1300ft, HD-SDI 200m/600ft, 3G-SDI 140m/450ft
- User selectable output format HDMI or CVBS
- 5V~24V DC



\* The distance depends on the quality of the SDI signal from the HD camera source and also the Coax Cable & Connector

# Ethernet over Coax Extender

▶ **EOC-100K: 10/100Mbps** N-3

*For High Megapixel Resolution IP Camera*

▶ **EOC-10P: 10Mbps** N-4

*For VGA Resolution IP Camera, No Power Required*



**EOC-100-D**  
N-3b



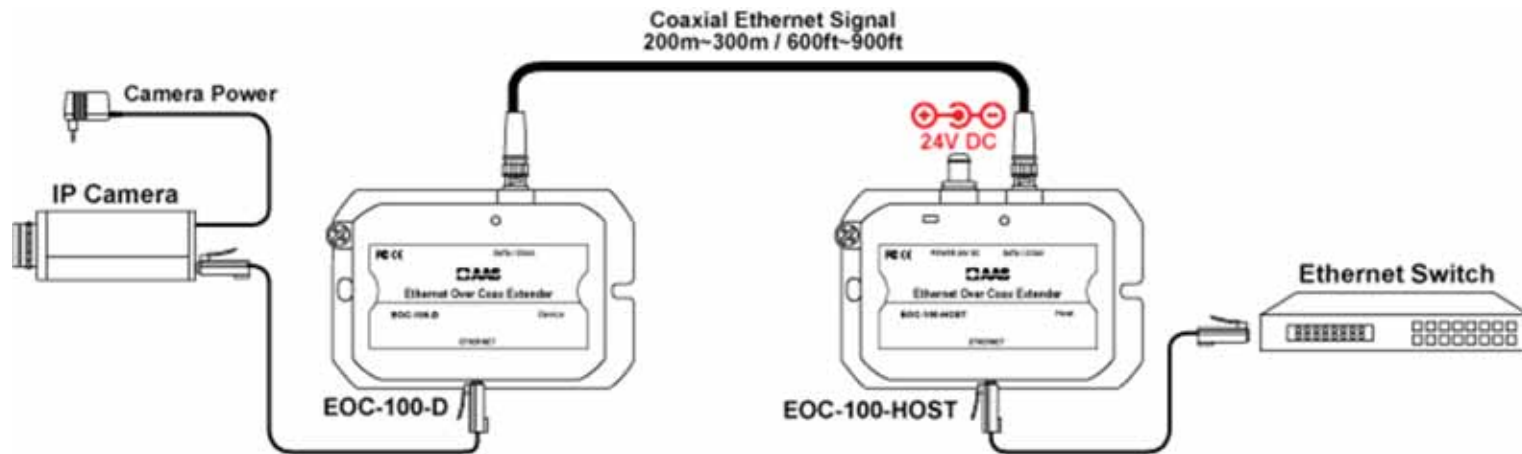
**EOC-100-HOST**  
N-3a



**EOC-10**  
N-4a



**EOC-10**  
N-4a



*\*Also available for PoE over Coax Extenders*

**POEOC-15K**



**Network IP  
Over Coax**

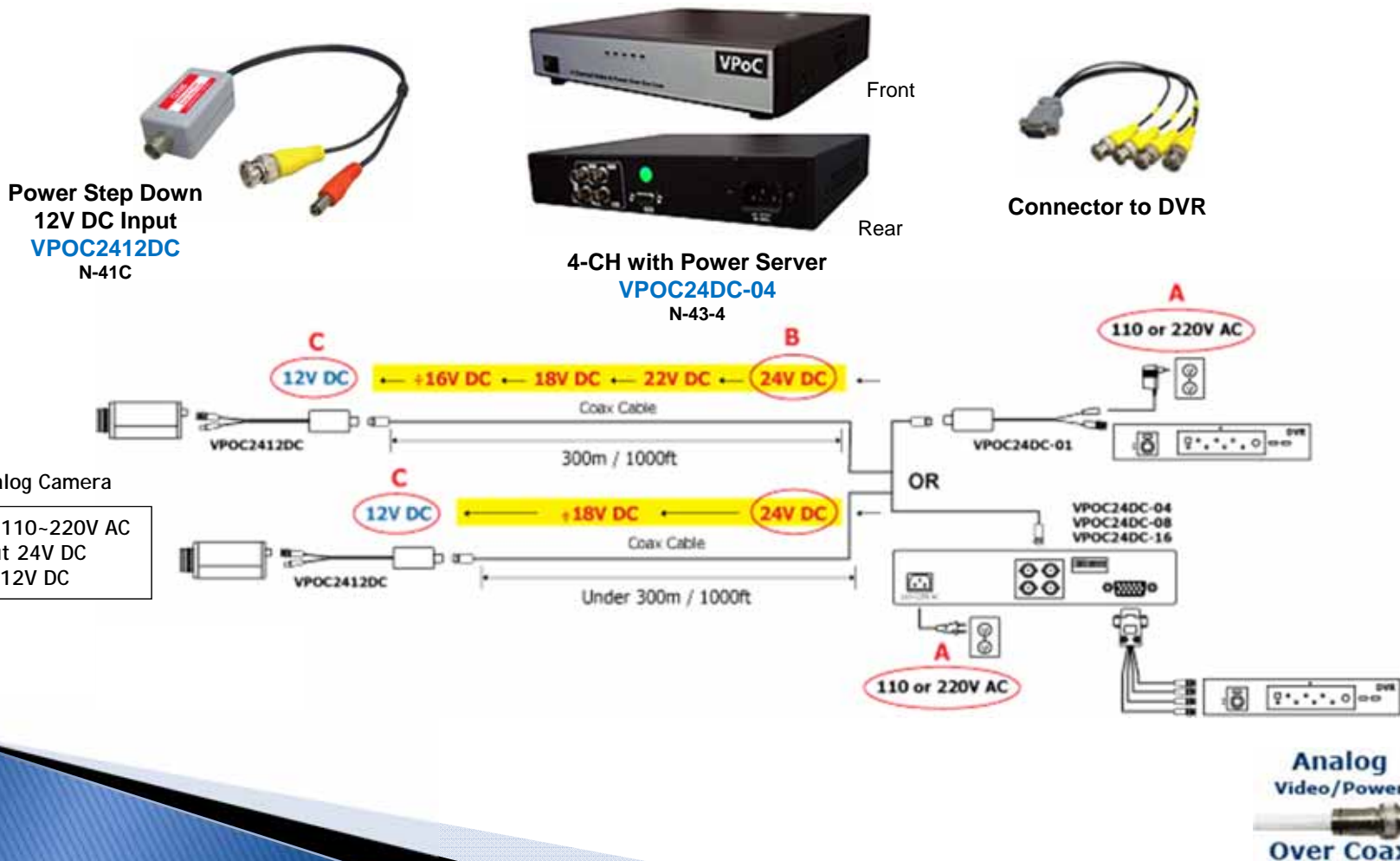
# Video & Power Over One Coax

For Analog Camera VPOC

- ▶ Can run Coax Cable up to 600m / 2000ft without power drop.
- ▶ Easy to upgrade to PTZ camera with existing 18/2 power wire to become data RS485

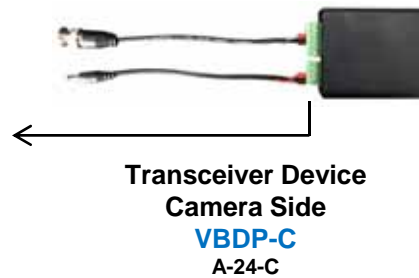
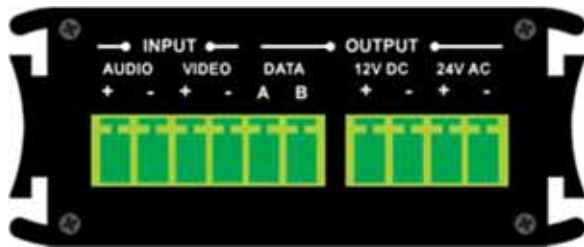
*No need to worry about power drop for long cable run!*

1-CH, 8-CH, 16-CH also available



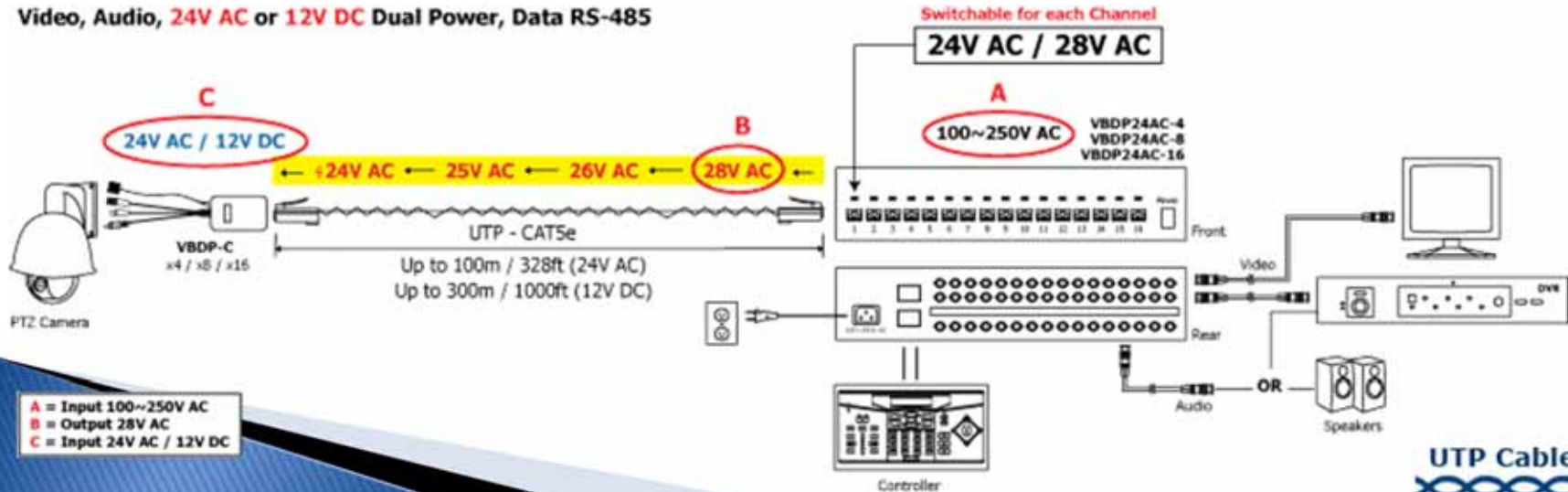
# Video, Audio, Power, and Data Transceiver Device + Hub

- ▶ 4 / 8 / 16 channel transceiver hubs allow transmission of CCTV video, audio, data, and 24V AC/12V DC power with one UTP cable
- ▶ Transceiver Device (camera side) receives up to 100m / 328ft (24V AC output); up to 300m / 1000ft (12V DC output)



16-CH Transceiver Hub  
VBDP24AC-16-120  
A-27HD-16-120

Video, Audio, 24V AC or 12V DC Dual Power, Data RS-485



# IP / PoE, Analog, and PTZ Camera All-in-One Service Tester

**DISCONTINUED**

▶ **LCDA-1** T-83

**Features:**

- All-in-one touch screen
- 3rd Party IPCAM support (ONVIF, AXIS, Vivotek, ACTi, Sony, Panasonic, Arecont Vision, .... and more)
- Embedded GPS for accurate location
- PoE measurement : current, voltage
- High power PoE support (25.5W)
- CGI command configuration
- Bandwidth calculation



# 3.5" CCTV Service Viewer – Analog Only

▶ **LCD35SV** T-82

*The only service monitor that provides 12V DC power to the camera which makes troubleshooting easier!*

**Features:**

- PAL / NTSC standard auto detection
- Display format 320 RGB x 240
- Provide power to 12V DC camera
- 6 hrs long operation time
- Audio & Video input
- Lithium Battery: 3.7V DC, 2200mA

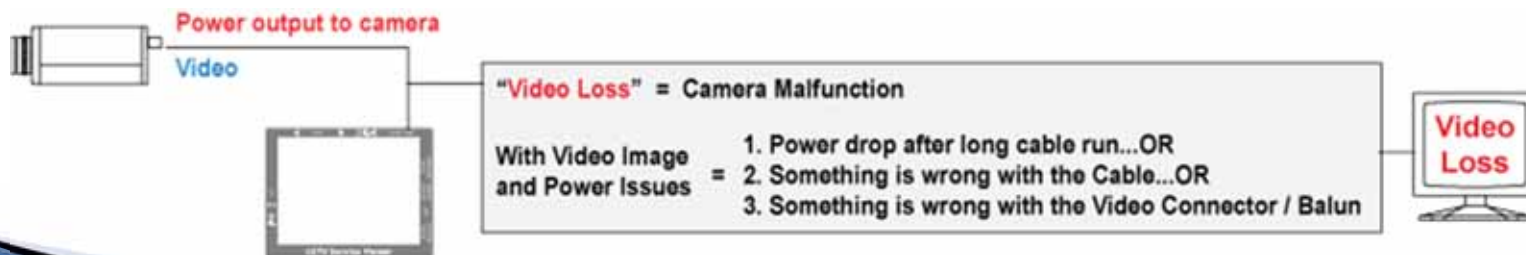
**Your Logo on Boot Screen**  
 - 4 seconds  
 - MOQ 50



The Best Quality of Major Components extends the life span of this product.

TFT LCD Module **Made in Taiwan** by ChiMei

Rechargeable Lithium Battery **Made in Japan** by Sanyo  
 Assembled & Made in China



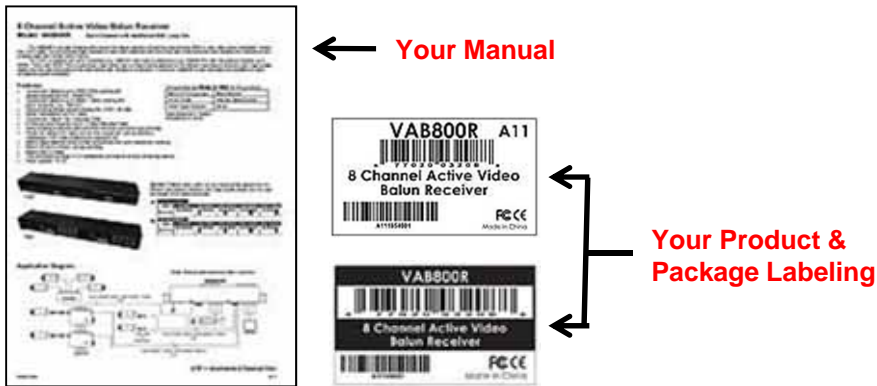
# OEM & Marketing

**YES, we can help you!**  
 Just let us know what you need  
 and we'll do our best!

## Branded Products



## Manual, Sticker & Diagram Designs



*Note: We will need your help to translate the English manual to your language.*

SecuTech Expo 2012 in Taipei, Taiwan



**Other marketing materials available upon request**

**Forming Partners:**  
 We intend to have one partner in each country to act as an exclusive agent.

# Contact Us

**We are seeking for OEM Partners & Distributors in each country's nation.**

**Website:** [www.aas.com.tw](http://www.aas.com.tw) | [www.utpbalun.com](http://www.utpbalun.com)

**E-mail:** [sales@aas.com.tw](mailto:sales@aas.com.tw)

**Taiwan :** (866) 70-1080-6868 | **U.S.A.:** (01) 510-931-779

*\*The best way to contact us is via e-mail.*

**Factory and R&D Dept.  
Taipei, Taiwan**

160-1 Guiyang St Sec 2  
4 Fl, Taipei, Taiwan

**Factory and R&D Dept.  
ShenZhen, China**

Founder Science  
&Technology Park, Baoan  
District, Shenzhen, China

**U.S.A. Marketing & Warehouse  
California. USA**

5500 Stewart Ave.  
Fremont, CA 94538



Warehouse in U.S.A.